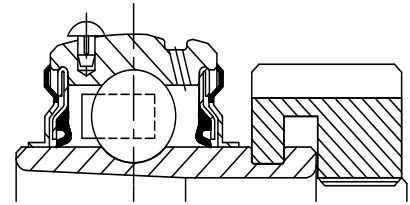


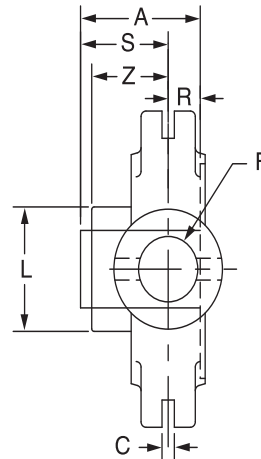
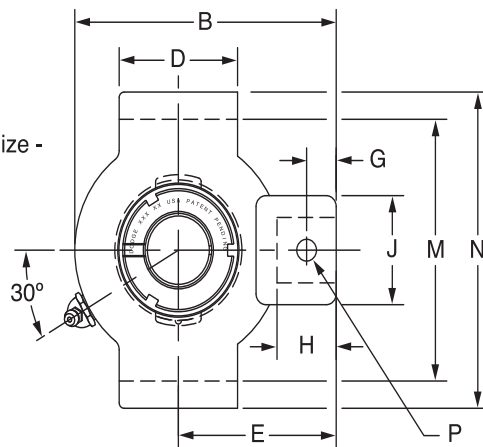


# SELECTION/DIMENSIONS

## GRIP TIGHT Adapter Ball Bearings GT NORMAL DUTY NARROW SLOT TAKE-UP BEARINGS



Lube Fitting Thread Size -  
1/8 - 27 NPT



Series	Shaft Size	Complete Unit		Unit without Adapter Sleeve & Lock Nut		Adapter Sleeve & Lock Nut Assembly	
		Part No.	Description	Part No.	Description	Part No.	Description
204	3/4	<b>136110</b>	NSTU-GT-012	<b>136210</b>	NSTU-GT-04	<b>136522</b>	AN-GT-04-012-D
	20mm	<b>136238</b>	NSTU-GT-20M			<b>136553</b>	AN-GT-04-20M-D
205	7/8	<b>136111</b>	NSTU-GT-014	<b>136211</b>	NSTU-GT-05	<b>136590</b>	AN-GT-05-014-D
	15/16	<b>136112</b>	NSTU-GT-015			<b>136523</b>	AN-GT-05-015-D
	1	<b>136113</b>	NSTU-GT-100			<b>136524</b>	AN-GT-05-100-D
	25mm	<b>136239</b>	NSTU-GT-25M			<b>136554</b>	AN-GT-05-25M-D
206	1-1/8	<b>136114</b>	NSTU-GT-102	<b>136212</b>	NSTU-GT-06	<b>136525</b>	AN-GT-06-102-D
	1-3/16	<b>136115</b>	NSTU-GT-103			<b>136526</b>	AN-GT-06-103-D
	1-1/4	<b>136116</b>	NSTU-GT-104S			<b>136527</b>	AN-GT-06-104S-D
	30mm	<b>136240</b>	NSTU-GT-30M			<b>136555</b>	AN-GT-06-30M-D
207	1-1/4	<b>136117</b>	NSTU-GT-104	<b>136213</b>	NSTU-GT-07	<b>136528</b>	AN-GT-07-104-D
	1-3/8	<b>136118</b>	NSTU-GT-106			<b>136591</b>	AN-GT-07-106-D
	1-7/16	<b>136119</b>	NSTU-GT-107			<b>136529</b>	AN-GT-07-107-D
	35mm	<b>136241</b>	NSTU-GT-35M			<b>136556</b>	AN-GT-07-35M-D
208	1-1/2	<b>136120</b>	NSTU-GT-108	<b>136214</b>	NSTU-GT-08	<b>136530</b>	AN-GT-08-108-D
	1-5/8	<b>126121</b>	NSTU-GT-110			<b>136592</b>	AN-GT-08-110-D
	40mm	<b>136242</b>	NSTU-GT-40M			<b>136593</b>	AN-GT-08-40M-D
209	1-5/8	<b>136122</b>	NSTU-GT-110L	<b>136215</b>	NSTU-GT-09	<b>136531</b>	AN-GT-09-110L-D
	1-11/16	<b>136123</b>	NSTU-GT-111			<b>136532</b>	AN-GT-09-111-D
	1-3/4	<b>136124</b>	NSTU-GT-112			<b>136533</b>	AN-GT-09-112-D
	45mm	<b>136243</b>	NSTU-GT-45M			<b>136557</b>	AN-GT-09-45M-D
210	1-15/16	<b>136125</b>	NSTU-GT-115	<b>136216</b>	NSTU-GT-10	<b>136534</b>	AN-GT-10-115-D
	2	<b>136126</b>	NSTU-GT-200			<b>136535</b>	AN-GT-10-200-D
	50mm	<b>136244</b>	NSTU-GT-50M			<b>136558</b>	AN-GT-10-50M-D
211	2	<b>136167</b>	NSTU-GTM-200	<b>136217</b>	NSTU-GT-11	<b>136600</b>	AN-GTM-11-200-D
	2-3/16	<b>136127</b>	NSTU-GT-203			<b>136536</b>	AN-GT-11-203-D
	2-1/4	<b>136128</b>	NSTU-GT-204			<b>136537</b>	AN-GT-11-204-D
	55mm	<b>136245</b>	NSTU-GT-55M			<b>136559</b>	AN-GT-11-55M-D
212	2-1/4	<b>136169</b>	NSTU-GTM-204	<b>136218</b>	NSTU-GT-12	<b>136601</b>	AN-GTM-12-204-D
	2-7/16	<b>136129</b>	NSTU-GT-207			<b>136538</b>	AN-GT-12-207-D
	60mm	<b>136246</b>	NSTU-GT-60M			<b>136594</b>	AN-GT-12-60M-D

@ Assembled to order

FEATURES/BENEFITS PAGE B5-2	HOW TO ORDER/NOMENCLATURE PAGE B5-4	SELECTION PAGE B5-5	RELATED PRODUCTS PAGE B5-70
--------------------------------	--	------------------------	--------------------------------

# SELECTION/DIMENSIONS



## GRIP TIGHT Adapter Ball Bearings GT NORMAL DUTY NARROW SLOT TAKE-UP BEARINGS

Bearing Reference Guide

ULTRA KLEEN

E-Z KLEEN

Extreme Duty

Setscrew Ball Bearing

GRIP TIGHT

D-LOK Ball Bearing

Series	Shaft Size	Weight lbs kg	Take-Up Frame Size	A	B	C	D	E	F Screw Dia.	G	H	J	L	M	N	P Pin Dia.	R#	S#	Z
204	3/4	1.6	NS210	1.48	3.50	0.250	1.50	2.19	3/4	0.44	0.88	1.38	1.50	2.635/2.605	3.13	0.32	0.46	1.02	1.03
	20mm	0.8		37.6	88.9	6.35	38.1	55.6	19.1	11.2	22.4	35.1	38.1	66.93/66.17	79.5	8.1	11.7	25.9	26.2
205	7/8	1.7	NS210	1.46	3.56	0.250	1.50	2.19	3/4	0.44	0.88	1.38	1.80	2.635/2.605	3.13	0.32	0.48	0.98	1.00
	15/16	1.6		37.1	90.4	6.35	38.1	55.6	19.1	11.2	22.4	35.1	45.7	66.93/66.17	79.5	8.1	12.2	24.9	25.4
	1	1.5		37.1	90.4	6.35	38.1	55.6	19.1	11.2	22.4	35.1	45.7	66.93/66.17	79.5	8.1	12.2	24.9	25.4
206	25mm	0.7	NS308	1.61	4.31	0.250	2.50	2.69	3/4	0.50	0.94	1.38	2.08	3.510/3.480	4.13	0.32	0.52	1.09	1.13
	1-1/8	2.8		40.9	109.5	6.35	63.5	68.3	19.1	12.7	23.9	35.1	52.8	89.15/88.39	104.9	8.1	13.2	27.7	28.7
	1-3/16	2.7		40.9	109.5	6.35	63.5	68.3	19.1	12.7	23.9	35.1	52.8	89.15/88.39	104.9	8.1	13.2	27.7	28.7
207	1-1/4	2.6	NS308	1.62	4.50	0.250	2.50	2.69	3/4	0.50	0.94	1.38	2.38	3.510/3.480	4.13	0.32	0.54	1.08	1.14
	1-1/4	2.8		41.1	114.3	6.35	63.5	68.3	19.1	12.7	23.9	35.1	60.5	89.15/88.39	104.9	8.1	13.7	27.4	29.0
	1-3/8	2.6		41.1	114.3	6.35	63.5	68.3	19.1	12.7	23.9	35.1	60.5	89.15/88.39	104.9	8.1	13.7	27.4	29.0
208	1-7/16	2.5	NS400	1.84	5.38	0.313	3.00	3.25	7/8	0.66	1.16	1.63	2.62	4.015/3.985	4.75	0.38	0.61	1.23	1.23
	30mm	1.2		46.7	136.7	7.95	76.2	82.6	22.2	16.8	29.5	41.4	66.5	101.98/101.22	120.7	9.7	15.5	31.2	31.2
	1-1/2	4.70		46.7	136.7	7.95	76.2	82.6	22.2	16.8	29.5	41.4	66.5	101.98/101.22	120.7	9.7	15.5	31.2	31.2
209	1-5/8	4.9	NS400	1.85	5.44	0.313	3.00	3.25	7/8	0.72	1.22	1.63	2.86	4.015/3.985	4.75	0.38	0.62	1.23	1.26
	1-11/16	4.8		47.0	138.2	7.95	76.2	82.6	22.2	18.3	31.0	41.4	72.6	101.98/101.22	120.7	9.7	15.7	31.2	32.0
	1-3/4	4.7		47.0	138.2	7.95	76.2	82.6	22.2	18.3	31.0	41.4	72.6	101.98/101.22	120.7	9.7	15.7	31.2	32.0
210	45mm	2.1	NS400	1.86	5.50	0.313	3.00	3.25	7/8	0.59	1.09	1.63	3.13	4.015/3.985	4.75	0.38	0.63	1.23	1.26
	1-15/16	4.9		47.2	139.7	7.95	76.2	82.6	22.2	15.0	27.7	41.4	79.5	101.98/101.22	120.7	9.7	16.0	31.2	32.0
211	2	4.8	NS407	1.93	6.13	0.313	3.50	3.63	1	0.69	1.28	1.75	3.43	4.448/4.418	5.38	0.44	0.67	1.26	1.32
	50mm	2.2		49.0	155.7	7.95	88.9	92.2	25.4	17.5	32.5	44.5	87.1	112.98/112.22	136.7	11.2	17.0	32.0	33.5
	2	6.8		49.0	155.7	7.95	88.9	92.2	25.4	17.5	32.5	44.5	87.1	112.98/112.22	136.7	11.2	17.0	32.0	33.5
212	2-3/16	6.6	NS415	2.12	6.69	0.313	3.75	3.88	1	0.69	1.28	1.63	3.69	4.947/4.917	5.75	0.44	0.73	1.39	1.46
	2-1/4	8.7		53.8	169.9	7.95	95.3	98.6	25.4	17.5	32.5	41.4	93.7	125.65/124.89	146.1	11.2	18.5	35.3	37.1
	2-7/16	8.4		53.8	169.9	7.95	95.3	98.6	25.4	17.5	32.5	41.4	93.7	125.65/124.89	146.1	11.2	18.5	35.3	37.1
212	60mm	4.9	53.8	169.9	7.95	95.3	98.6	25.4	17.5	32.5	41.4	93.7	125.65/124.89	146.1	11.2	18.5	35.3	37.1	

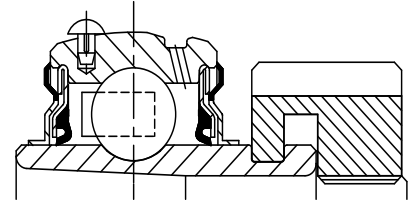
#R & S dimensions will vary slightly depending on true shaft diameter.

FEATURES/BENEFITS PAGE B5-2	HOW TO ORDER/NOMENCLATURE PAGE B5-4	SELECTION PAGE B5-5	RELATED PRODUCTS PAGE B5-70
--------------------------------	--	------------------------	--------------------------------

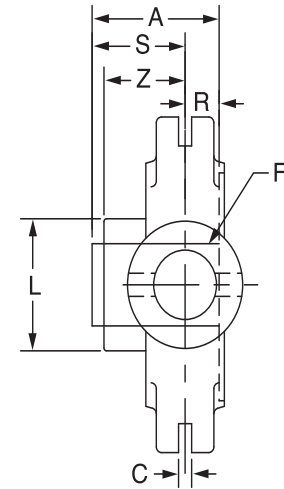
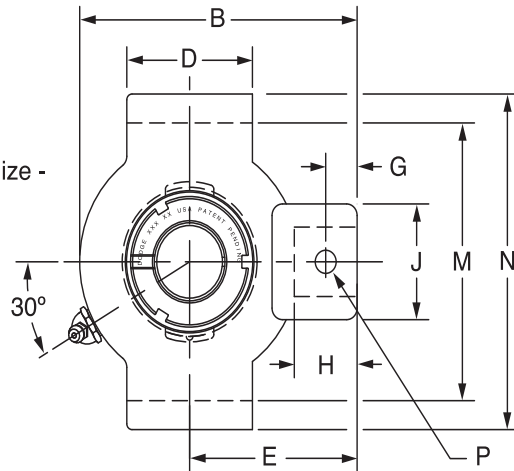


# SELECTION/DIMENSIONS

## GRIP TIGHT Adapter Ball Bearings GTM MEDIUM DUTY NARROW SLOT TAKE-UP BEARINGS



Lube Fitting Thread Size -  
1/8 - 27 NPT



Series	Shaft Size	Complete Unit		Unit without Adapter Sleeve & Lock Nut		Adapter Sleeve & Lock Nut Assembly	
		Part No.	Description	Part No.	Description	Part No.	Description
205	3/4	<b>136159</b>	NSTU-GTM-012	<b>136211</b>	NSTU-GT-05	<b>136597</b>	AN-GTM-05-012-D
206	1 25mm	<b>136160</b>	NSTU-GTM-100	<b>136212</b>	NSTU-GTU-06	<b>136541</b>	AN-GTM-06-100-D
		<b>136296</b>	NSTU-GTM-25M			<b>136561</b>	AN-GTM-06-25M-D
207	1 -3/16 1-1/4 30mm	<b>136161</b>	NSTU-GTM-103	<b>136213</b>	NSTU-GT-07	<b>136542</b>	AN-GTM-07-103-D
		<b>136117</b>	NSTU-GT-104			<b>136528</b>	AN-GT-07-104-D
		<b>136297</b>	NSTU-GTM-30M			<b>136562</b>	AN-GTM-07-30M-D
208	1-7/16 35mm	<b>136162</b>	NSTU-GTM-107	<b>136214</b>	NSTU-GT-08	<b>136543</b>	AN-GTM-08-107-D
		<b>136298</b>	NSTU-GTM-35M			<b>136563</b>	AN-GTM-08-35M-D
209	1-1/2 40mm	<b>136163</b>	NSTU-GTM-108	<b>136215</b>	NSTU-GT-09	<b>136598</b>	AN-GTM-09-108-D
		<b>136299</b>	NSTU-GTM-40M			<b>136564</b>	AN-GTM-09-40M-D
210	1-11/16 1-3/4 45mm	<b>136164</b>	NSTU-GTM-111	<b>136216</b>	NSTU-GT-10	<b>136544</b>	AN-GTM-10-111-D
		<b>136165</b>	NSTU-GTM-112			<b>136599</b>	AN-GTM-10-112-D
		<b>136300</b>	NSTU-GTM-45M			<b>136565</b>	AN-GTM-10-45M-D
211	1-15/16 2 50mm	<b>136166</b>	NSTU-GTM-115	<b>136217</b>	NSTU-GT-11	<b>136545</b>	AN-GTM-11-115-D
		<b>136167</b>	NSTU-GTM-200			<b>136600</b>	AN-GTM-11-200-D
212	2-3/16 2-1/4 55mm	<b>136168</b>	NSTU-GTM-203	<b>136218</b>	NSTU-GT-12	<b>136546</b>	AN-GTM-12-203-D
		<b>136169</b>	NSTU-GTM-204			<b>136601</b>	AN-GTM-12-204-D
		<b>136302</b>	NSTU-GTM-55M			<b>136567</b>	AN-GTM-12-55M-D

@ Assembled to order

FEATURES/BENEFITS PAGE B5-2	HOW TO ORDER/NOMENCLATURE PAGE B5-4	SELECTION PAGE B5-5	RELATED PRODUCTS PAGE B5-70
--------------------------------	--	------------------------	--------------------------------

Bearing Reference Guide

ULTRA KLEEN

E-Z KLEEN

Extreme Duty

Setscrew Ball Bearing

GRIP TIGHT

D-LOK Ball Bearing

# SELECTION/DIMENSIONS



## GRIP TIGHT Adapter Ball Bearings GTM MEDIUM DUTY NARROW SLOT TAKE-UP BEARINGS

Bearing Reference Guide

ULTRA KLEEN

E-Z KLEEN

Extreme Duty

Setscrew Ball Bearing

GRIP TIGHT

D-LOK Ball Bearing

Series	Shaft Size	Weight lbs kg	Take-Up Frame Size	A	B	C	D	E	F Screw Dia.	G	H	J	L	M	N	P Pin Dia.	R#	S#	Z
205	3/4	1.7	NS210	1.46 37.1	3.56 90.4	0.250 6.35	1.50 38.1	2.19 55.6	3/4 19.1	0.44 11.2	0.88 22.4	1.38 35.1	1.80 45.7	2.635/2.605 66.93/66.17	3.13 79.5	0.32 8.1	0.48 12.2	0.98 24.9	1.00 25.4
206	1 25mm	2.8 1.2	NS308	1.61 40.9	4.31 109.5	0.250 6.35	2.50 63.5	2.69 68.3	3/4 19.1	0.50 12.7	0.94 23.9	1.38 35.1	2.08 52.8	3.510/3.480 89.15/88.39	4.13 104.9	0.32 8.1	0.52 13.2	1.09 27.7	1.13 28.7
207	1-3/16 1-1/4 30mm	2.8 1.2	NS308	1.62 41.1	4.50 114.3	0.250 6.35	2.50 63.5	2.69 68.3	3/4 19.1	0.50 12.7	0.94 23.9	1.38 35.1	2.38 60.5	3.510/3.480 89.15/88.39	4.13 104.9	0.32 8.1	0.54 13.7	1.08 27.4	1.14 29.0
208	1-7/16 35mm	4.7 2.1	NS400	1.84 46.7	5.38 136.7	0.313 7.95	3.00 76.2	3.25 82.6	7/8 22.2	0.66 16.8	1.16 29.5	1.63 41.4	2.62 66.5	4.015/3.985 101.98/101.22	4.75 120.7	0.38 9.7	0.61 15.5	1.23 31.2	1.23 31.2
209	1-1/2 40mm	4.9 2.1	NS400	1.85 47.0	5.44 138.2	0.313 7.95	3.00 76.2	3.25 82.6	7/8 22.2	0.72 18.3	1.22 31.0	1.63 41.4	2.86 72.6	4.015/3.985 101.98/101.22	4.75 120.7	0.38 9.7	0.62 15.7	1.23 31.2	1.26 32.0
210	1-11/16 1-3/4 45mm	4.9 2.2	NS400	1.86 47.2	5.50 139.7	0.313 7.95	3.00 76.2	3.25 82.6	7/8 22.2	0.59 15.0	1.09 27.7	1.63 41.4	3.13 79.5	4.015/3.985 101.98/101.22	4.75 120.7	0.38 9.7	0.63 16.0	1.23 31.2	1.26 32.0
211	1-15/16 2 50mm	6.80 3.0	NS407	1.93 49.0	6.13 155.7	0.313 7.95	3.50 88.9	3.63 92.2	1 25.4	0.69 17.5	1.28 32.5	1.75 44.5	3.43 87.1	4.448/4.418 112.98/112.22	5.38 136.7	0.44 11.2	0.67 17.0	1.26 32.0	1.32 33.5
212	2-3/16 2-1/4 55mm	8.7 4.9	NS415	2.12 53.8	6.69 169.9	0.313 7.95	3.75 95.3	3.88 98.6	1 25.4	0.69 17.5	1.28 32.5	1.63 41.4	3.69 93.7	4.947/4.917 125.65/124.89	5.75 146.1	0.44 11.2	0.73 18.5	1.39 35.3	1.46 37.1

#R & S dimensions will vary slightly depending on true shaft diameter.

FEATURES/BENEFITS PAGE B5-2	HOW TO ORDER/NOMENCLATURE PAGE B5-4	SELECTION PAGE B5-5	RELATED PRODUCTS PAGE B5-70
--------------------------------	--	------------------------	--------------------------------